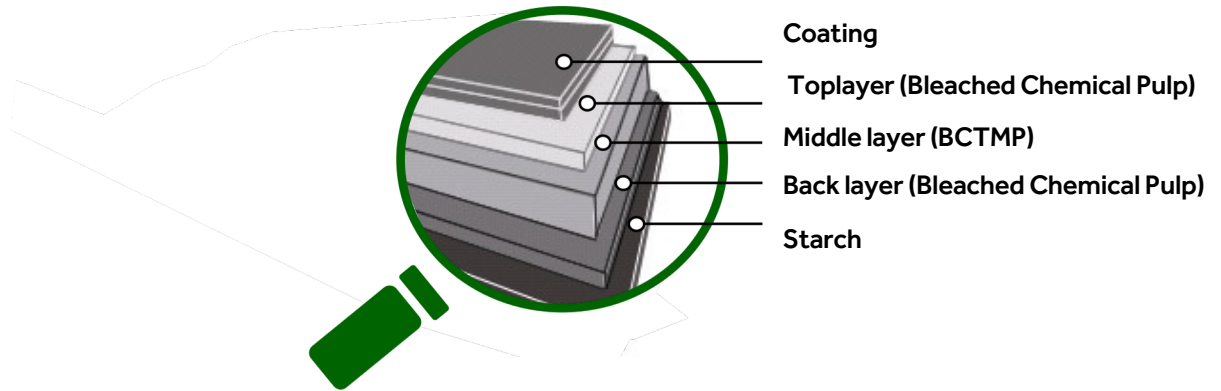


# MASTERPACK CREAM GC2

## Description

## Profile



## Technical Data

Property	Unit	Tolerance	Value										Standard
Grammage	g/m <sup>2</sup>	±3%	200	215	230	250	270	300	325	350	380	ISO536	
Thickness	µm	±4%	330	360	390	420	470	520	550	585	700	ISO534	
Moisture	%	±1.0	7.0	7.0	7.0	7.0	7.5	7.5	7.5	7.5	7.5	ISO287	
Stiffness Taber 15°MD	mN.m	-0,15	7.9	10.2	13.5	16.5	22.5	29.0	34.2	40.5	55.0	ISO2493	
Stiffness Taber 15°CD	mN.m	-0,15	3.4	4.5	6.5	7.5	10.4	14.0	16.2	18.5	25.0	ISO2493	
Top Cobb (60s)	g/m <sup>2</sup>	≤	40	40	40	40	40	40	40	40	40	ISO535	
Back Cobb (60s)	g/m <sup>2</sup>	≤	60	60	60	60	60	60	60	60	60	ISO535	
Top Brightness	%	±3	91	91	91	91	91	91	91	91	91	ISO2470	
Gloss75°	%	±10	55	55	55	55	55	55	55	55	55	ISO8254	
Surface Roughness PPS10	µm	Max1.5	1.0	1.0	1.0	1.0	1.0	1.0	1.0	1.0	1.0	ISO8791	
Surface Strength	m/s	≥	1.2	1.2	1.2	1.2	1.2	1.2	1.2	1.2	1.2	ISO3783	
Scott Bond	J/m <sup>2</sup>	Min120	180	180	180	180	180	180	180	180	180	TAPPI T569	

All properties are tested according to ISO and TAPPI Standard

Laboratory test climate 23°C/50% RH (According to ISO 187).

All specifications mentioned above may be subject to technical changes

