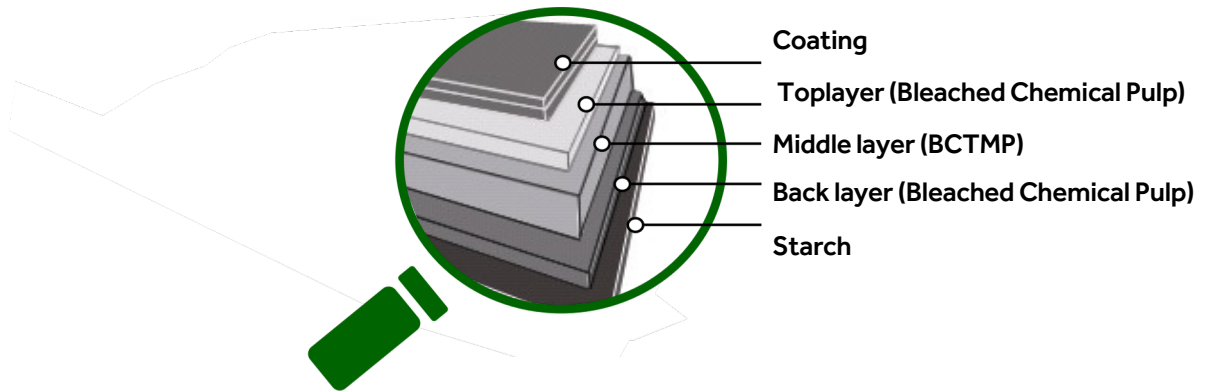


MASTERPACK WHITE GC1 / Hi-Bulk

Description

Profile



Technical Data

Property	Unit	Tolerance	Value										Standard
Grammage	g/m ²	±3%	215	225	235	250	270	295	310	325	350	380	ISO536
Thickness	µm	±4%	305	330	355	380	420	460	485	510	560	610	ISO534
Moisture	%	±1.0	7.0	7.0	7.0	7.0	7.0	7.0	7.5	7.5	7.5	8.0	ISO287
Stiffness Taber 15°MD	mN.m	-0,15	8.5	10.5	11.5	14.5	17.5	24.0	26.0	31.0	39.0	49.0	ISO2493
Stiffness Taber 15°CD	mN.m	-0,15	4.8	5.5	6.2	7.5	9.0	12.0	13.0	15.5	19.5	24.5	ISO2493
Top Cobb (60s)	g/m ²	≤	40	40	40	40	40	40	40	40	40	40	ISO535
Back Cobb (60s)	g/m ²	≤	60	60	60	60	60	60	60	60	60	60	ISO535
Top Brightness	%	±3	91	91	91	91	91	91	91	91	91	91	ISO2470
Gloss75°	%	±10	55	55	55	55	55	55	55	55	55	55	ISO8254
Surface Roughness PPS10	µm	Max1.0	0.7	0.7	0.7	0.7	0.7	0.7	0.7	0.7	0.7	0.7	ISO8791
Surface Strength	m/s	≥	1.2	1.2	1.2	1.2	1.2	1.2	1.2	1.2	1.2	1.2	ISO3783
Scott Bond	J/m ²	Min120	180	180	180	180	180	180	180	180	180	180	TAPPI T569

All properties are tested according to ISO and TAPPI Standard

Laboratory test climate 23°C/50% RH (According to ISO 187).

All specifications mentioned above may be subject to technical changes

